



# MODEL 66

## FOOD WASTE DISPOSER

The top model in our standard range, offering high performance, continuous feed operation and able to handle a wide variety of food waste.

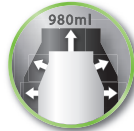
### FEATURES



SoundSeal Plus™  
Quieter than  
standard models



1 Stage Stainless  
Grinding System



Grind Chamber  
Capacity (980ml)  
Stainless Steel  
Grinding Elements



Built-in Air Switch  
(33mm hole for button)



0.75HP Dura-Drive™  
Heavy Duty  
Induction Motor



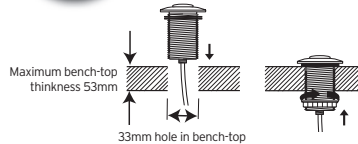
QuickLock™  
Sink Mount for  
easy installation



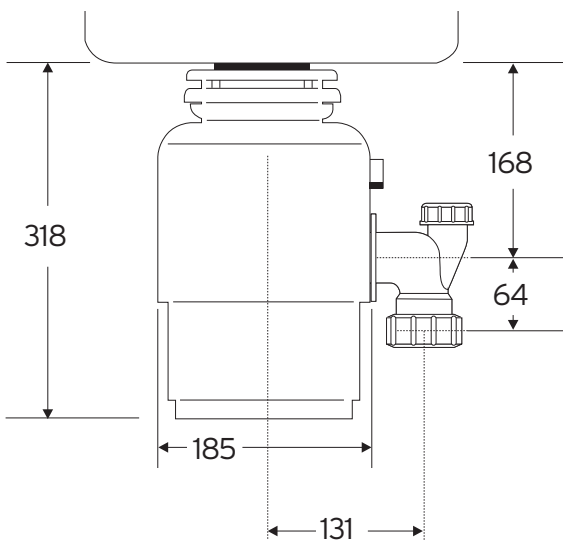
4 Year Warranty



Made in the USA



### DIMENSIONS (MM)



### SPECIFICATIONS

|                  |   |                          |  |
|------------------|---|--------------------------|--|
| Type of Feed     | Continuous                                    | Grind Chamber Capacity   | 980 ml                                 |
| On/Off           | Control Wall Switch or Built-In Air Switch    | Motor Protection         | Manual Reset Overload                  |
| Power Supply     | Single Phase                                  | Average Water Usage      | Approximately 4.0 L per Person per Day |
| Time Rating      | Intermittent                                  | Average Electrical Usage | 5-6 KWH per Annum                      |
| Lubrication      | Permanently Lubricated Upper & Lower Bearings | Drain Connection         | 1-1/2" (3.81 cm)                       |
| Grind Technology | 1-Stage Grind Technology                      | Dishwasher Connection    | Yes                                    |
| Sound Technology | Quiet Sink Baffle<br>Sound Insulation         |                          |  |
| Volts/Hz         | HP  | RPM                      |  |
| 220-240V, 50 Hz  | .75   | 1490                     |  |

[insinkerator.co.nz](http://insinkerator.co.nz)

For more information contact Parex Industries Limited on Tel: 0800 200 510 or email: [info.parex@emerson.com](mailto:info.parex@emerson.com)

InSinkErator reserves the right to change product specifications without prior notice. The disposer described in this leaflet is for household use; usage in commercial situations is not covered by warranty.

