

HC3300

NEAR-BOILING + COLD FILTERED WATER TAP

The InSinkErator HC3300 Instant Hot Water Tap dispenses near boiling filtered hot water from an easily installed under-sink hot water tank, as well as filtered drinking water.

The unit produces the perfect temperature for making hot drinks, speeding up the preparation of pasta or vegetables, cleaning dishes and a host of other kitchen tasks.

FEATURES & SPECIFICATIONS

- Near boiling filtered hot water instantly.
- Up to 100 cups of steaming hot water per hour.
- Safe, filtered hot or cold drinking water.
- Elegant swiveling spout.
- Tap insulated from heat.
- Tap available in Chrome, Brushed Steel and Matte Black.
- Unique single handle and hot push-lever locking mechanism.
- Tap mounted on either the kitchen work surface or sink. (35mm-38mm drilled hole required in the bench-top)
- Reduces chlorine, lead, and other unpleasant tastes, chemicals and odours from the water.
- Easy to install 2.5 litre stainless steel tank fitted under sink.
- Plugs directly into 240v electrical socket close to appliance.
- Adjustable temperature display on tank.
- Shut-off valve in filter head automatically stops water flow.
- Required supply pressure: 172-862 kPa (1.7-8.6 bar) (25-125 psi)
- Easy to replace filter.
- In-Home Parts and Service Warranty
 - Tank - 2 Year Warranty
 - Filtration System - 1 Year Warranty (excluding replacement filter cartridge)



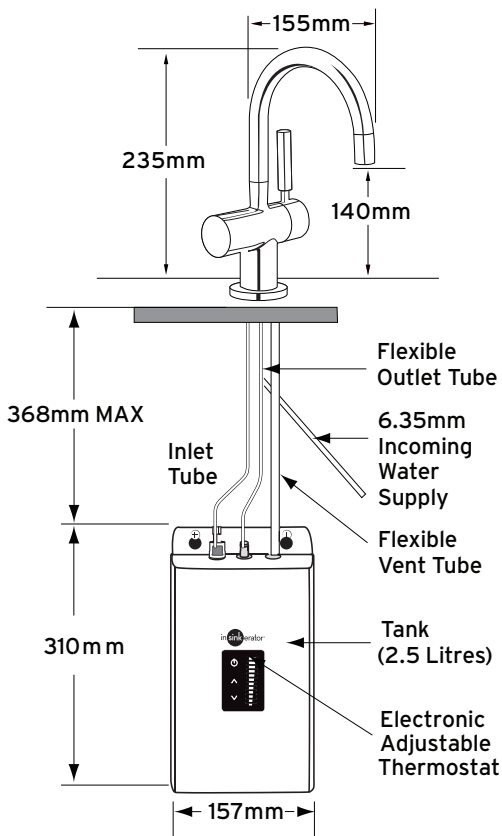
TAP FINISHES

CHROME

BRUSHED
STEEL

MATTE
BLACK

TECHNICAL DIAGRAM & DIMENSIONS



Unit Depth 206mm MAX



EASY TO INSTALL
UNDER SINK TANK
& WATER FILTER

insinkerator.co.nz

For more information contact Parex Industries Limited
on Tel: 0800 200 510 or email: info.parex@emerson.com

InSinkErator reserves the right to change product specifications without prior notice.

in sink erator[®]
hottap[™]