



TAP FINISHES



HC900

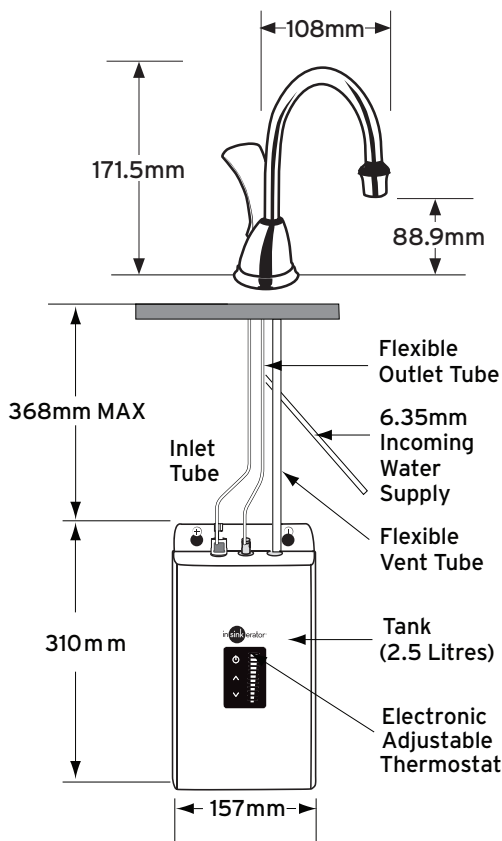
NEAR-BOILING + COLD FILTERED WATER TAP

The InSinkErator HC900 Instant Hot Water Tap dispenses near boiling filtered hot water from an easily installed under-sink hot water tank, as well as filtered drinking water. The unit produces the perfect temperature for making hot drinks, speeding up the preparation of pasta or vegetables, cleaning dishes and a host of other kitchen tasks.

FEATURES & SPECIFICATIONS

- Near boiling filtered hot water instantly.
- Safe, filtered hot or cold drinking water.
- Tap insulated from heat.
- Tap available in Chrome.
- Gentle touch, two lever dispenser.
- Tap mounted on either the kitchen work surface or sink. (35mm-38mm drilled hole required in the bench-top)
- Reduces chlorine, lead, and other unpleasant tastes, chemicals and odours from the water.
- Easy to install 2.5 litre stainless steel tank fitted under sink.
- Plugs directly into 240v electrical socket close to appliance.
- Adjustable temperature display on tank.
- Shut-off valve in filter head automatically stops water flow.
- Required supply pressure: 172-862 kPa (1.7-8.6 bar) (25-125 psi)
- Easy to replace filter.
- In-Home Parts and Service Warranty
 - Tank - 2 Year Warranty
 - Filtration System - 1 Year Warranty (excluding replacement filter cartridge)

TECHNICAL DIAGRAM & DIMENSIONS



Unit Depth 206mm MAX



EASY TO INSTALL UNDER SINK TANK & WATER FILTER

insinkerator.co.nz

For more information contact Parex Industries Limited on Tel: 0800 200 510 or email: info.parex@emerson.com
InSinkErator reserves the right to change product specifications without prior notice.

in sink erator[®]
hottap[™]