

# SS-500

## FOOD WASTE DISPOSER

InSinkErator provides the hospitality industry with a range of Food Service disposers to suit the smallest to largest kitchen. Whether you are catering for 50 to 2500 people, there is a solution for your kitchen. InSinkErator's superior construction, faster operation and shorter grinding time will reduce stress, noise and waste scraps in your workspace.

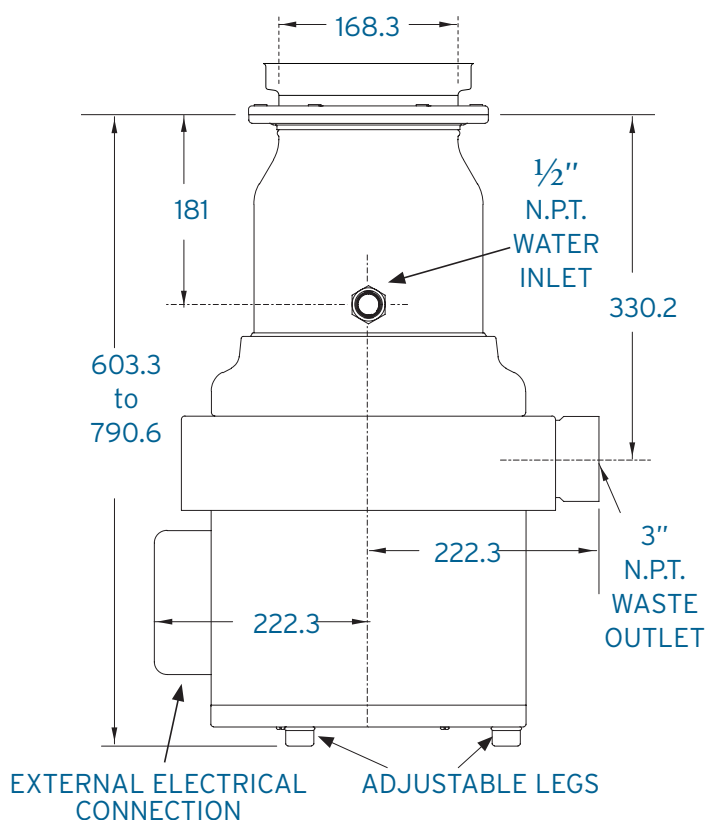
### FEATURES

Designed for large establishments such as banquet facilities, hospitals, universities and military facilities.

\*Indent orders only

- Suitable for large commercial operations  
Approximately 1500 people per meal
- 5.0HP, high torque induction motor
- Stainless steel shredder ring for increased grinding efficiency
- Stainless steel rotating shredder
- Cast stainless 360° swivel lugs, stainless steel grind chamber
- Cast nickel chrome cutting elements
- Extra-large stainless steel grind chamber for extra durability
- Stainless steel construction
- Automatic reversing action
- Standard Quiet Sound Reduction System
- Legs supplied Factory installed
- 1 year warranty

### DIMENSIONS (MM)



### SPECIFICATIONS

Type of Feed	Continuous
On/Off	Wall Switch
Power Supply	3 Phase
Horsepower	5
Volts (V)	460V
Hertz (Hz)	50
RPM	1425
Lubrication	Self Lubricating
Unit Finish	Stainless Steel and Chrome
Overall Height	790mm
Shipping Weight	56kg
Waste Outlet	3"

[insinkerator.co.nz](http://insinkerator.co.nz)

For more information contact Parex Industries Limited  
on Tel: 0800 200 510 or email [info.parex@emerson.com](mailto:info.parex@emerson.com)  
InSinkErator reserves the right to change product specifications without prior notice.

