

# SS-300

## FOOD WASTE DISPOSER

InSinkEerator provides the hospitality industry with a range of Food Service disposers to suit the smallest to largest kitchen. Whether you are catering for 50 to 2500 people, there is a solution for your kitchen. InSinkEerator's superior construction, faster operation and shorter grinding time will reduce stress, noise and waste scraps in your workspace.

### FEATURES

Designed for large establishments such as banquet facilities, hospitals, universities and military facilities.

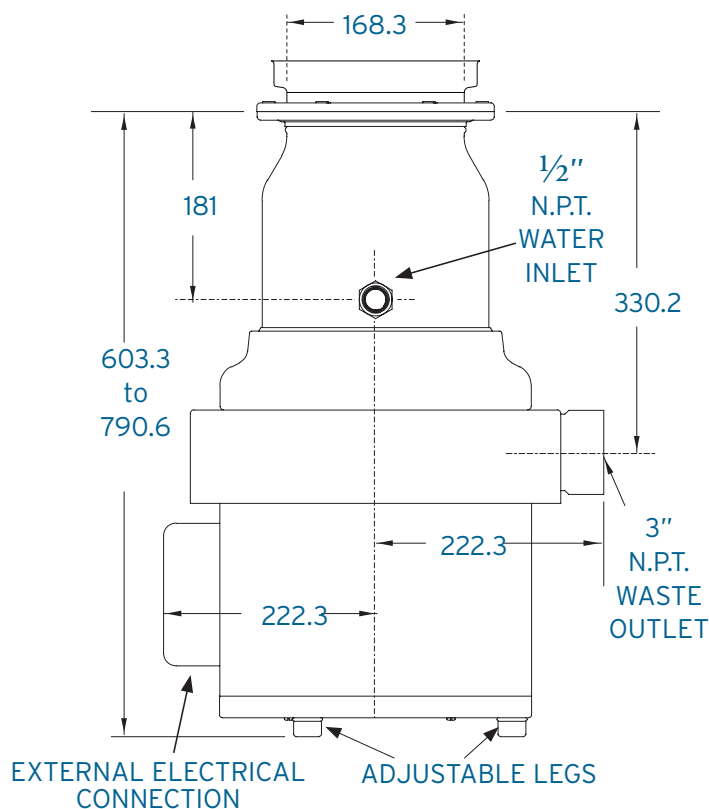
- Suitable for large commercial operations. Approximately 750 people per meal
- 3.0HP, high torque induction motor
- Stainless steel shredder ring for increased grinding efficiency
- Stainless steel rotating shredder
- Cast stainless 360° swivel lugs, stainless steel grind chamber
- Cast nickel chrome cutting elements
- Extra-large stainless steel grind chamber for extra durability
- Stainless steel construction
- Automatic reversing action
- Standard Quiet Sound Reduction System
- Legs supplied factory installed
- 1 year warranty



### SPECIFICATIONS

Type of Feed	Continuous
On/Off	Wall Switch
Power Supply	3 Phase
Horsepower	3
Volts (V)	460V
Hertz (Hz)	50
RPM	1425
Lubrication	Self Lubricating
Unit Finish	Stainless Steel and Chrome
Overall Height	790mm
Shipping Weight	51kg
Waste Outlet	3"

### DIMENSIONS (MM)



**insinkerator.co.nz**

For more information contact Parex Industries Limited  
 on Tel: 0800 200 510 or email [info.parex@emerson.com](mailto:info.parex@emerson.com)  
 InSinkEerator reserves the right to change product specifications without prior notice.

