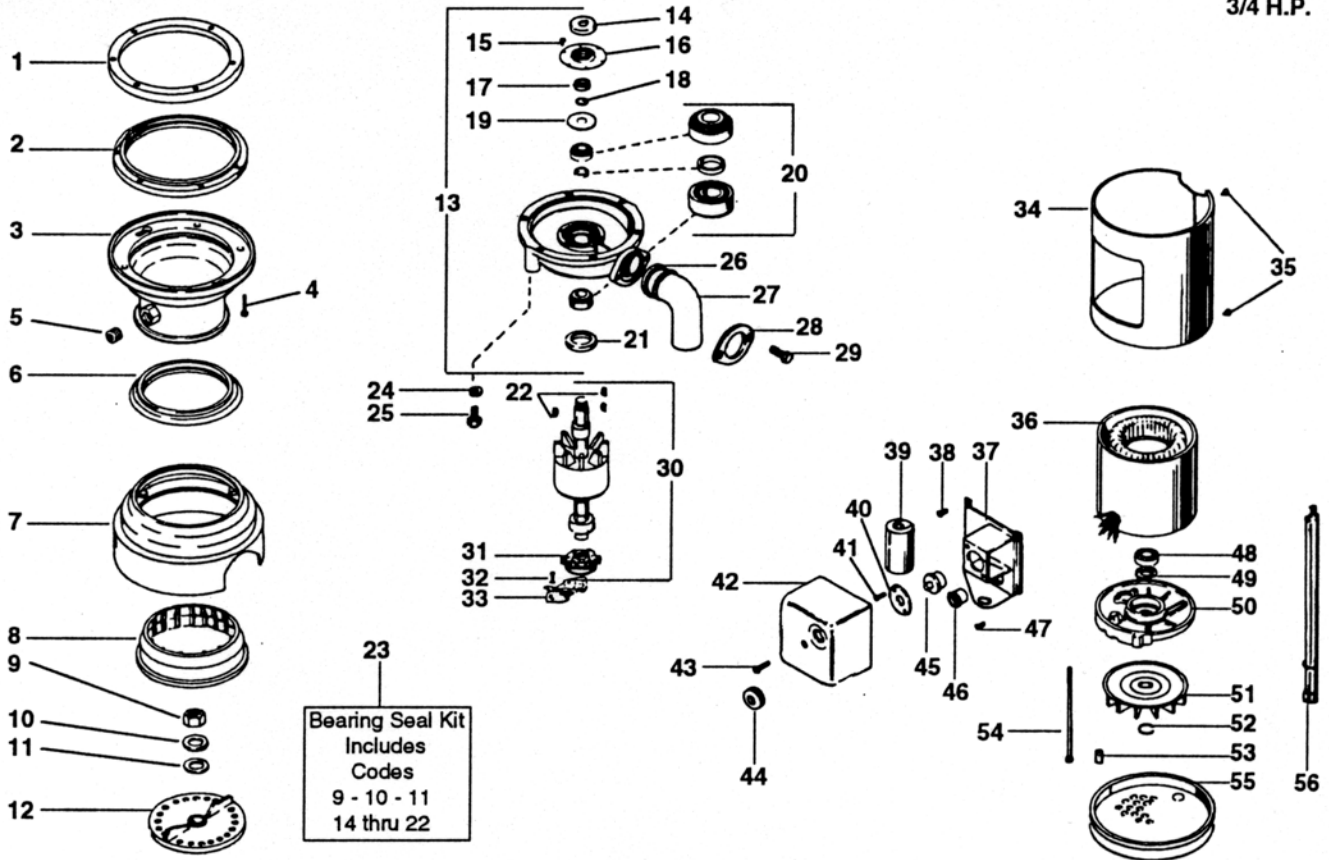


COMMERCIAL DISPOSER MODEL NO. SS75-31 (EXPORT)

(115 / 230 Volt / 50Hz / 1 Phase)

Start Date:
04/21/93
Engineer Number:
13659-D

3/4 H.P.



ORDER BY PART NUMBER, NOT CODE NUMBER

CODE NO.	PART NO.	NO. REQ.	DESCRIPTION	CODE NO.	PART NO.	NO. REQ.	DESCRIPTION
1	11004	1	Flange, Mounting	31	13708	1	Centrifugal Actuator
2	11016	1	Gasket, Mounting	32	8221	2	Screw (8-32x1/2)
3	11020-A	1	Body, Assy, Upper	33	13707	1	Switch, Start
4	1491	6	Screw (1/4-20x3/4)	34	12370	1	Trim Band
5	11227	1	Plug, Pipe	35	1836-A	2	Screw (8-32x1/2)
6	11006	1	Gasket, Shredder	36	13713-G	1	Stator Assy
7	12442	1	Assy, Body & Cover	37	12433	1	Bracket Assy (Mounting)
8	11252-A	1	Shredder, Stationary	38	11448	4	Screw (8-18x1/4)
9	11260	1	Nut	39	11868	1	Capacitor
10	12445	1	Washer	40	12378	1	Clamp, Overload
11	12142	1	Washer, Fiber	41	8221	2	Screw (8-32x1/2)
12	12944	1	Assy, Rotor Shredder	42	13396	1	Box, Terminal Assy (Incl. code 46)
13	13722	1	Assy, Upper End Bell (Incl. Codes 14 - 22)	43	12381	1	Screw (8-32x1-1/4)
14	12936	1	Shield	44	12383	1	Grommet, Overload
15	1269	6	Screw (8-18x1/2)	45	13422-L	1	1 Overload Protector
16	12934-A	1	Assy, Seal	46	12384	1	Bushing
17	12935	1	Sleeve, Spacer	47	2466-A	1	Screw, Ground
18	12860	1	O-Ring	48	13709	1	Bearing, Lower
19	12319	1	Slinger	49	13678	1	Spring, Pre-load
20	12610	1	Assy, Upper Bearing	50	13710	1	End Frame, Lower
21	12326	1	Seal, Water & Oil	51	13676	1	Fan
22	11322	3	Key, Woodruff	52	13677	1	Ring, Retaining
23	13080	1	Kit, Bearing Seal (Incl. Codes 9 - 11 & 14 - 22)	53	12490	3	Tube, Spacer
24	11444	3	Washer, Lock	54	11940-A	3	Bolt, Thru
25	3135	3	Screw (1/4-20x1)	55	12396	1	Cover, Bottom
26	1470	1	Gasket, Tailpipe	56	11757-B	2	Tube, Foot Assy. (Optional)
27	5487	1	Tailpipe				
28	1461	1	Flange, Tailpipe				
29	1468	2	Screw (1/4-20x1/2)				
30	13674-D	1	Rotor & Shaft Assy. (Incl. Codes 31 & 48)				