

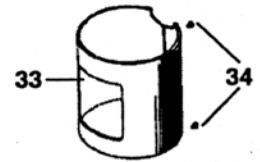
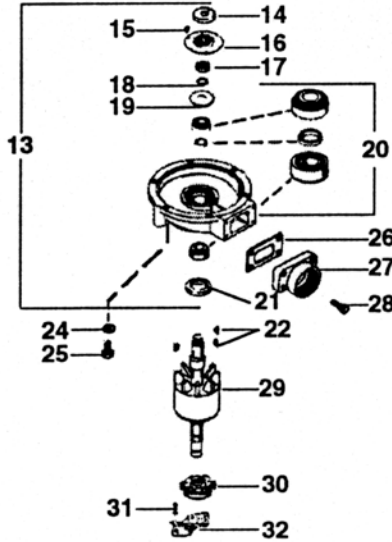
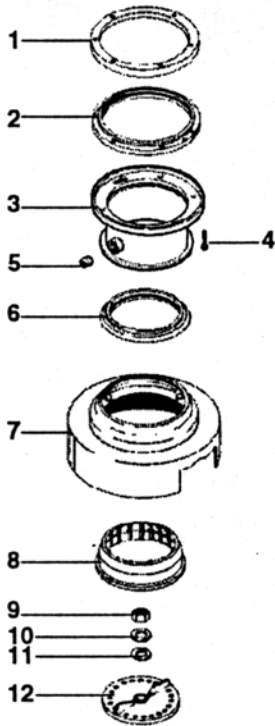
## COMMERCIAL DISPOSER

# MODEL NO. SS150-40 (EXPORT)

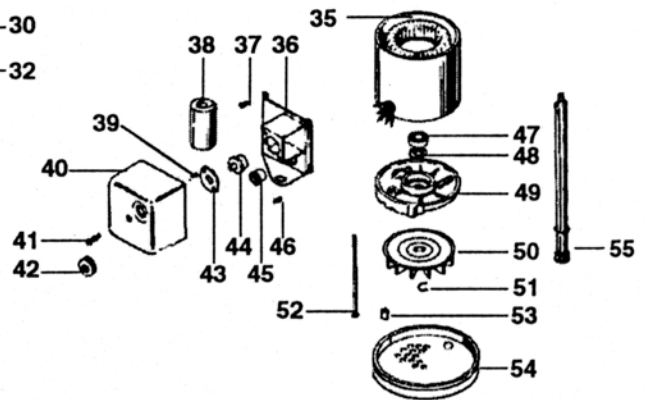
(115/230 Volt / 50Hz / 1 Phase)

Start Date:  
04-21-93  
Engineer Number:  
13662-G

1-1/2 H.P.



23  
**Bearing Seal Kit**  
Includes  
Codes  
9 - 10 - 11  
14 thru 22



### ORDER BY PART NUMBER, NOT CODE NUMBER

CODE NO.	PART NO.	NO. REQ.	DESCRIPTION	CODE NO.	PART NO.	NO. REQ.	DESCRIPTION
1	11004	1	Flange, Mounting	30	13708	1	Centrifugal Actuator
2	11016	1	Gasket, Mounting	31	8221	2	Screw (8-32x1/2)
3	11024-A	1	Body, Assy, Upper	32	13707	1	Switch, Start
4	1491	6	Screw (1/4-20x3/4)	33	12426	1	Trim Band
5	11227	1	Plug, Pipe	34	1836-A	2	Screw(8-32x1/2)
6	11006	1	Gasket, Shredder	35	13713-H	1	Stator Assy
7	12443	1	Assy, Body & Cover	36	12433-J	1	Bracket Assy (Mounting)
8	11251	1	Shredder, Stationary	37	11448	4	Screw (8-18x1/4)
9	11260	1	Nut	38	11868	1	Capacitor
10	12445	1	Washer	39	8221	2	Screw (8-32x1/2)
11	12142	1	Washer, Fiber	40	13396	1	Box, Terminal Assy (Incl. code 42)
12	12946	1	Assy, Rotor Shredder	41	12381	1	Screw (8-32x1-1/4)
13	13723	1	Assy, Upper End Bell (Incl. Codes 14 - 22)	42	12383	1	Grommet, Overload
14	12936	1	Shield	43	12378	1	Clamp, Overload
15	1269	6	Screw (8-18x1/2)	44	13422-AE	1	Overload Protector
16	12934-A	1	Assy, Seal	45	12384	1	Bushing
17	12935	1	Sleeve, Spacer	46	2466-A	1	Brush, Ground
18	12860	1	O-Ring	47	13709	1	Bearing, Lower
19	12319	1	Slinger	48	13678	1	Spring, Pre-load
20	12610	1	Assy, Upper Bearing	49	13710	1	End Frame, Lower
21	12326	1	Seal, Water & Oil	50	13676	1	Fan
22	11322	3	Key, Woodruff	51	13677	1	Ring, Retaining
23	13080	1	Kit, Bearing Seal (Incl. Codes 9 - 11 & 14 - 22)	52	12490	3	Tube, Spacer
24	11444	6	Washer, Lock	53	12382-A	3	Bolt, Thru
25	11524	6	Screw(1/4-20x1)	54	12432	1	Cover, Bottom
26	11459	1	Gasket, Tailpipe	55	11757-B	2	Tube, Foot Assy. (Optional)
27	11458	1	Flange, Tailpipe				
28	13369	4	Screw (1/4-20x3/4)				
29	13675-B	1	Rotor & Shaft Assy. (Incl. Codes 30 & 47)				