



Technical Specification

# H-990

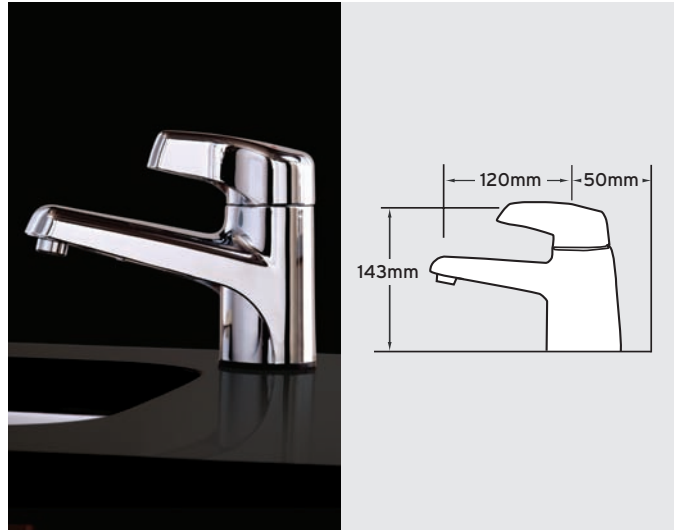
## Specification

The H-990 model comes complete with the following specifications.

Technical Specification

# H-990

## Steaming Hot Water Tap



H-990 - Chrome finish standard.

Capacity	2.5 Litre Stainless Steel tank dispenses 100 cups of 98°C water per hour
Electrical	220 - 240 volts A.C. 1300 watts, heating element with grounded three (3) pin plug
Thermostat	Electronic, adjustable from 88°C to 98°C (factory pre-set at 96°C)
Hot Valve	Instant, self closing
Weight	Approximately 4.7kg empty
Required Hole Diameter	32mm - 38mm
Required Supply Pressure	177 - 862 KPa (1.7 - 8.6 bar) (25 - 125 psi)
Tank Dimensions	



InSinkErator  
 471 Mountain Highway  
 Bayswater Vic 3153  
 Australia  
**Phone:** 1300 136 205  
**Fax:** 03 9720 3178  
**Email:** sales@insinkerator.com.au  
**Web:** www.insinkerator.com.au

Parex Industries Ltd.  
 103 Central Park Drive  
 P.O. Box 21-102  
 Henderson  
 Auckland 0650  
 New Zealand

**Phone:** 0800 200 510  
**Fax:** 0800 200 520  
**Web:** www.parex.co.nz



InSinkErator® is a registered trademark of Emerson Electric Co.  
 Emerson™ is a trademark of Emerson Electric Co.  
 © Copyright 2006  
 INS 14641/3 MDG 08/06 AUST/NZ

# H-990



## Application

A premium sink appliance for the kitchen that conveniently dispenses instant 98°C water from a single tap. Ideal for making tea, preparing pasta, cleaning dishes, blanching vegetables, warming baby's bottle or for any other activity that requires the use of steaming hot water.

## Features

- Sparkling chrome finish
- Tap insulated from heat
- Tap mounted on either the kitchen work surface or sink
- Unobtrusive 2.5 litre stainless steel tank fitted under sink
- Adjustable temperature dial
- Plugs directly into electrical socket located close to appliance
- One year full in-home warranty

## Benefits

- 98°C steaming hot water instantly
- Produces up to 100 cups of steaming hot water per hour
- Energy efficient and economical, saving both time and money once installed
- Time-tested quality
- Tool free tank connections and dry start protection to ease installation



### H-990 Tap

Robust design, with easy-grip handle in a sparkling chrome finish



### Tank

Unobtrusive 2.5 litre stainless steel hot water tank fitted under the sink, with easy adjustable temperature dial

## Installation

InSinkEerator's Steaming Hot Water Tap is easy to install. Simply follow five step-by-step instructions to enjoy the convenience of instant steaming hot water in your kitchen.



1

### Step One

- Install the tap



2

### Step Two

- Mount the tank



3

### Step Three

- Connect the tap to the tank



4

### Step Four

- Final water connection



5

### Step Five

- Connect power