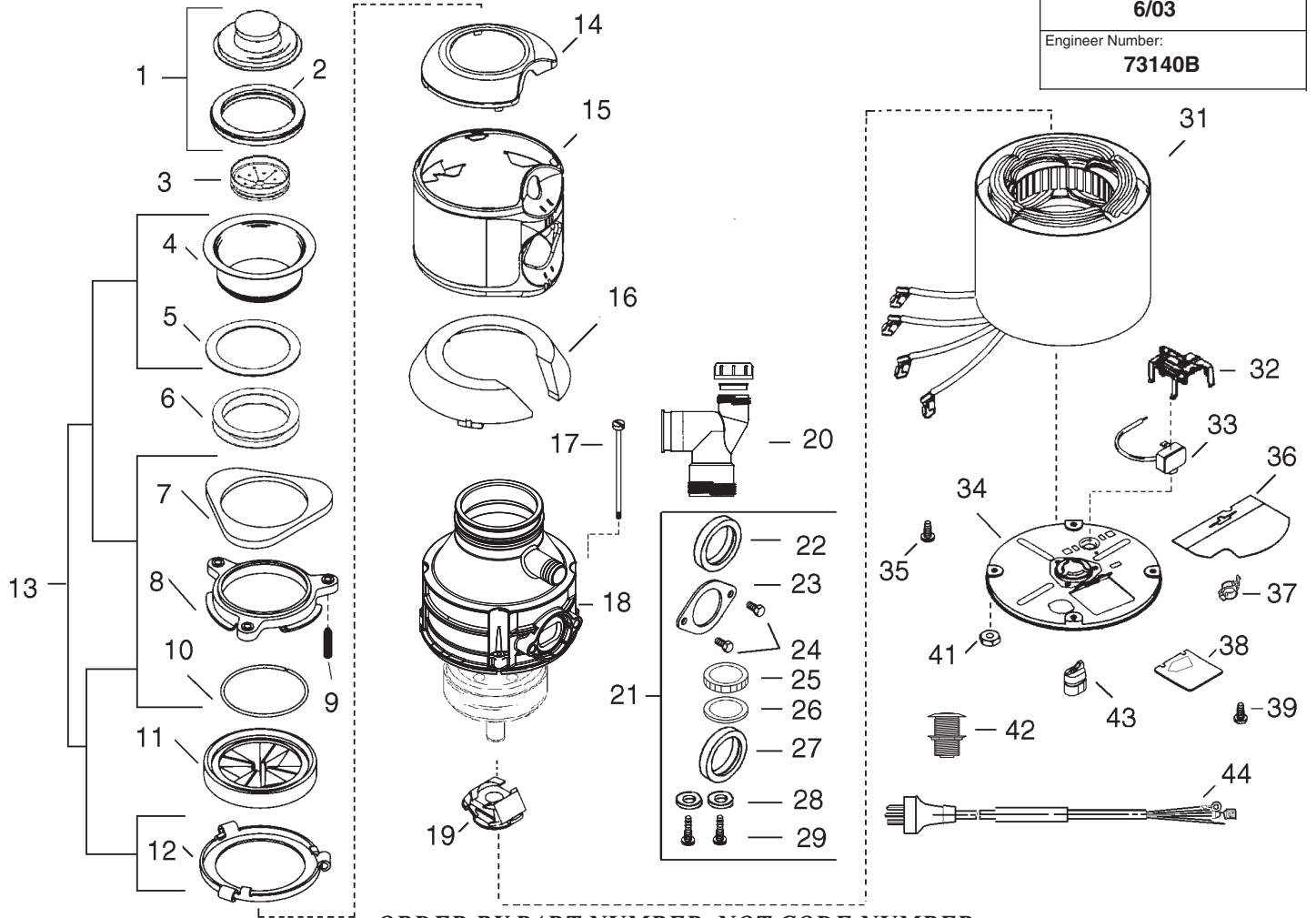


Warranty:	<b>4 Year Full Warranty</b>
hp/Volts/Hertz:	<b>.65 hp - 230/240V 50 HZ</b>
Production Date:	<b>6/03</b>
Engineer Number:	<b>73140B</b>



**ORDER BY PART NUMBER, NOT CODE NUMBER**

CODE NO.	PART NO.	NO. REQ.	DESCRIPTION	CODE NO.	PART NO.	NO. REQ.	DESCRIPTION
1	IP5032A	1	Stopper Assembly	23	N/A	1	Tailpipe Flange
2	IP5029	1	Stopper Gasket	24	N/A	2	13mm Screw
3	IP70966	1	Baffle	25	N/A	1	1-1/2" Nut
4	N/A	1	Sink Flange	26	N/A	1	Seal
5	N/A	1	Seal	27	N/A	1	Gasket (Aust. only)
6	IP8763	2	Sink Flange Gasket	28	N/A	2	Washer (Aust. only)
7	N/A	1	Backup Ring	29	N/A	2	19mm Screw (Aust. only)
8	N/A	1	Mounting Ring	30	IP4577	1	Service Wrenchette (Not Shown)
9	N/A	3	Screw	31	IP3590W	1	Stator Assembly
10	N/A	1	Snap Ring	32	IP70360A	1	Start Switch Assembly
11	IP70368	1	Mounting Gasket	33	IP2267CYZZ	1	Overload Protector
12	N/A	1	Body Flange	34	IP70424	1	End Frame Assy (Incl code 35)
13	IP3173ED	1	Mounting Assy (Incl. Codes 4,5, 7-10 & 12)	35	N/A	1	Screw, Ground
14	IP71951B	1	Trim Shell Cap	36	IP4134	1	Wire Shield
15	IP73503	1	Trim Shell	37	IP73404	1	Overload Guard
16	IP72246	1	Insulation	38	IP72194	1	Terminal Cover/Mic-Switch Mechanism
17	IP73097	4	Bolt, Thru	39	IP73350	1	Terminal Cover Screw
18	N/A	1	Enclosure Assembly (Not Available - Replace Unit)	40	IP72793	1	Installation, Care & Use Manual (Not Shown)
19	IP2467A	1	Centrifugal Actuator Assy	41	IP73098	4	Nut
20	IP73238	1	Tailpipe	42	IP72218	1	Air Switch Button
21	IP2638KE	1	Installation Kit (Incl. codes 3, 6, 22-30 & 40)	43	IP70667	1	Bushing
22	N/A	1	Tailpipe Gasket	44	IP72177ZZ	1	Cord